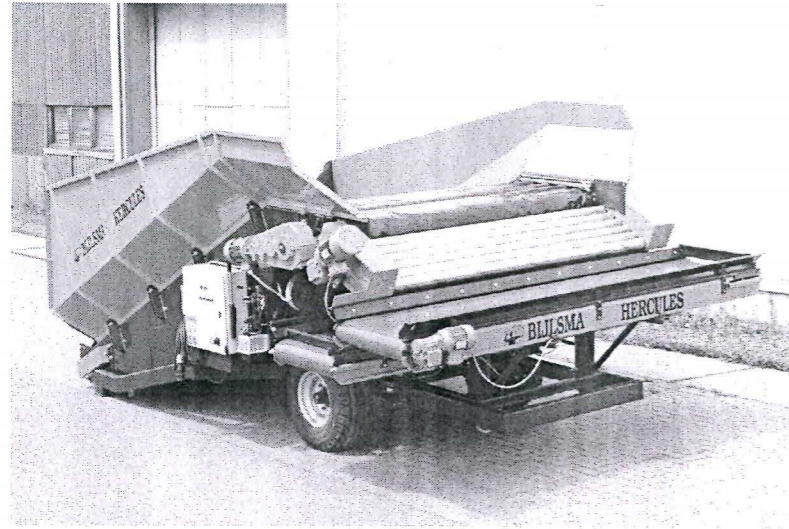
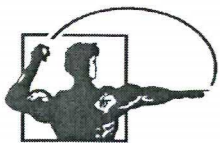

**STORTBAK
RECEIVINGHOPPER
ANNAHMEBUNKER
TRÉMIE**



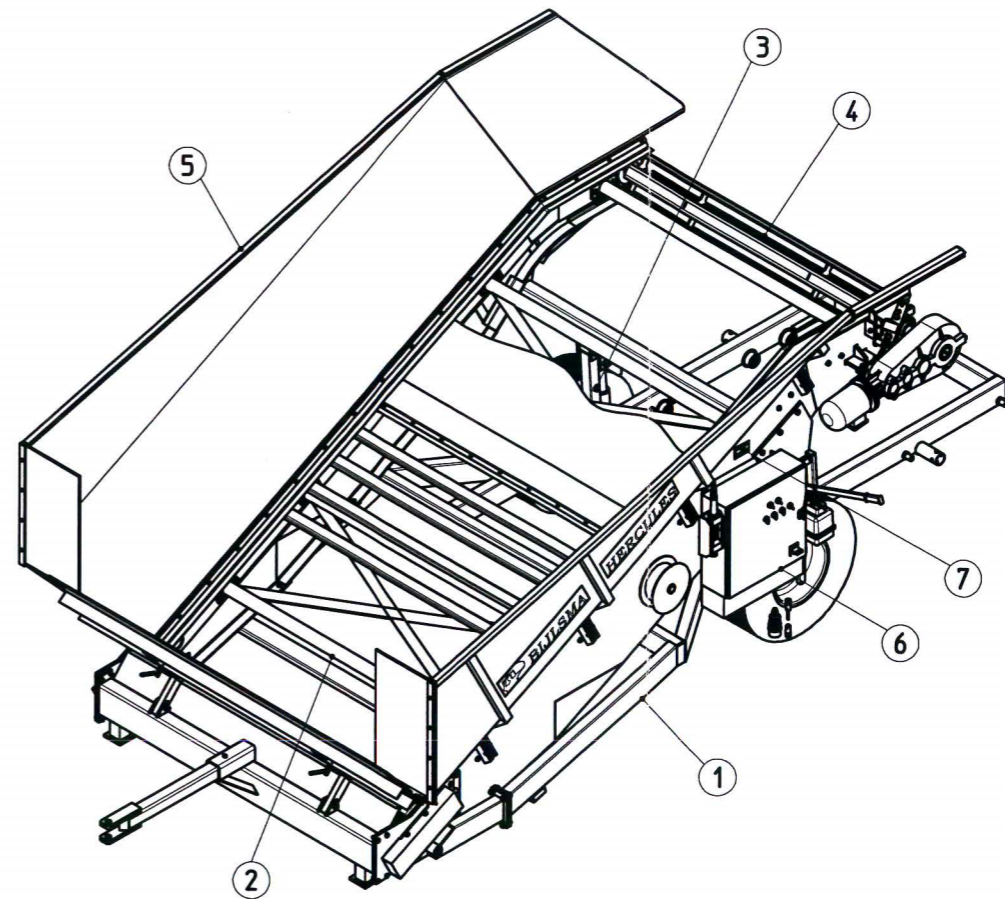
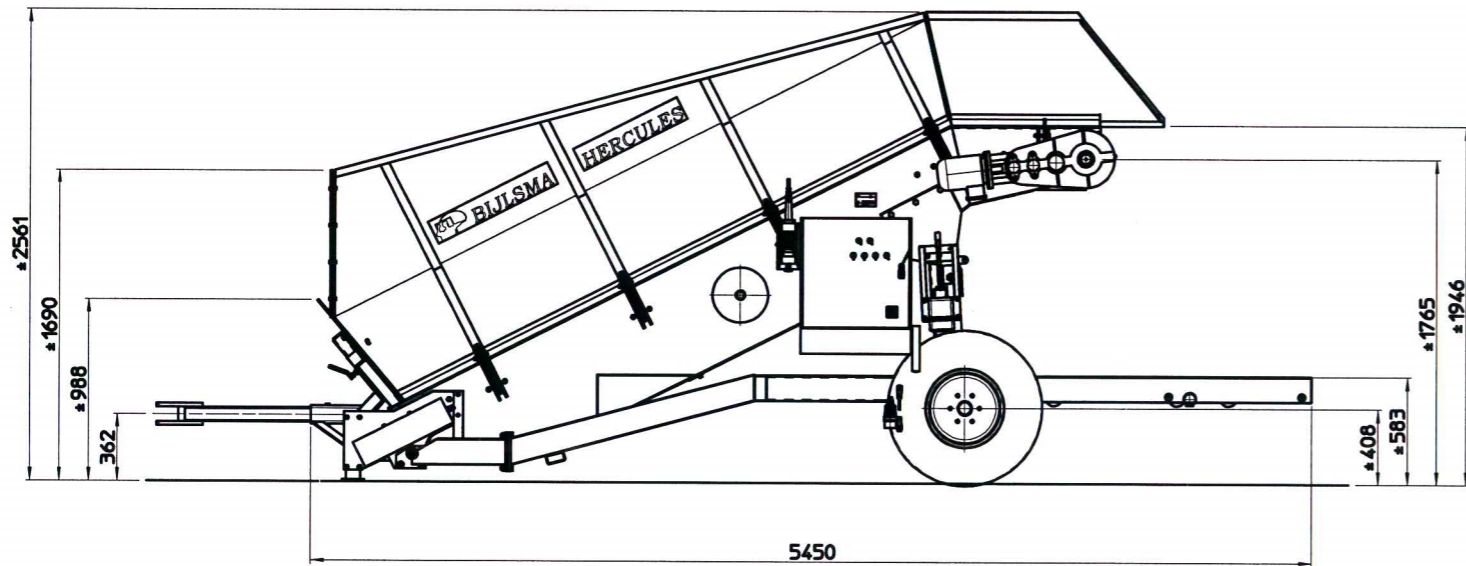
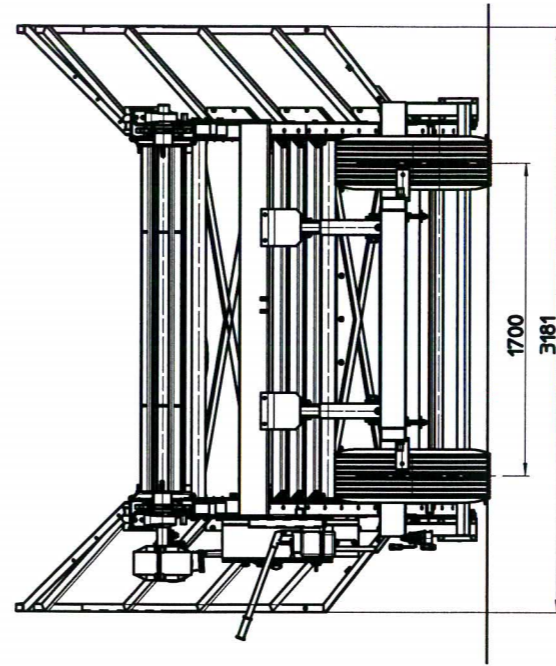
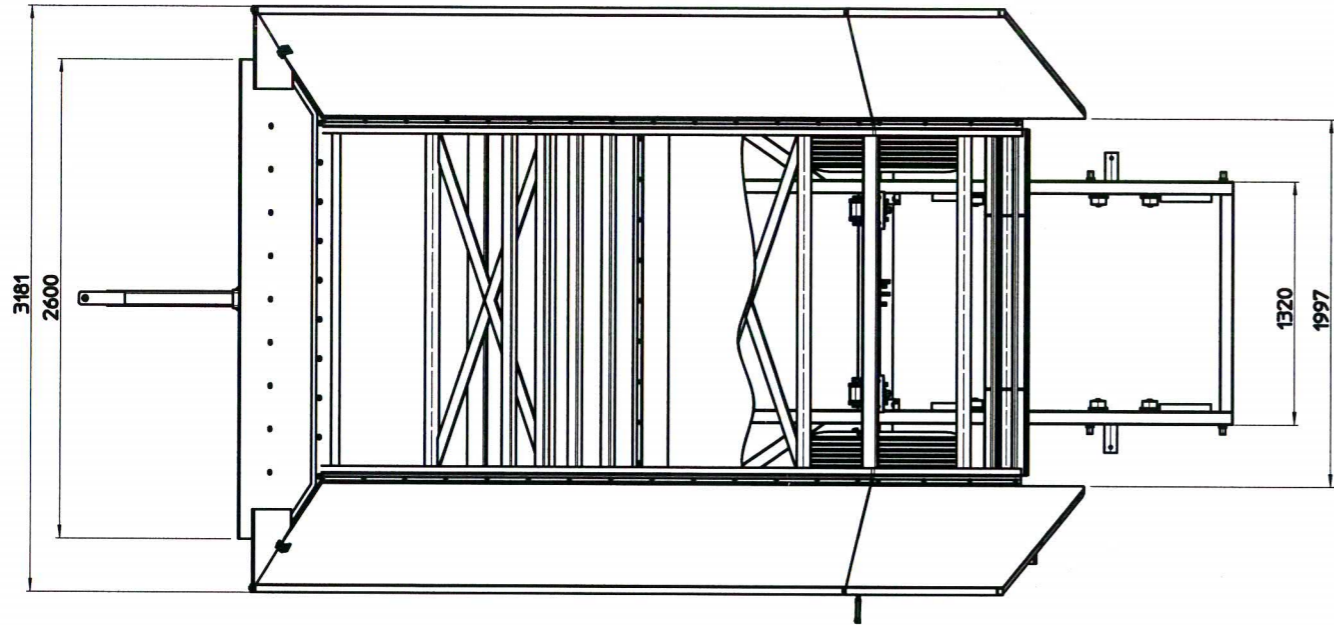
TYPE: JUMBO 2000 SERIE: 650V05G

**HANDLEIDING
MANUAL
ANLEITUNG
MANUEL**

**ONDERDELENLIJST
PARTLIST
ERSATZTEILLISTE
LISTE DE PIECES**



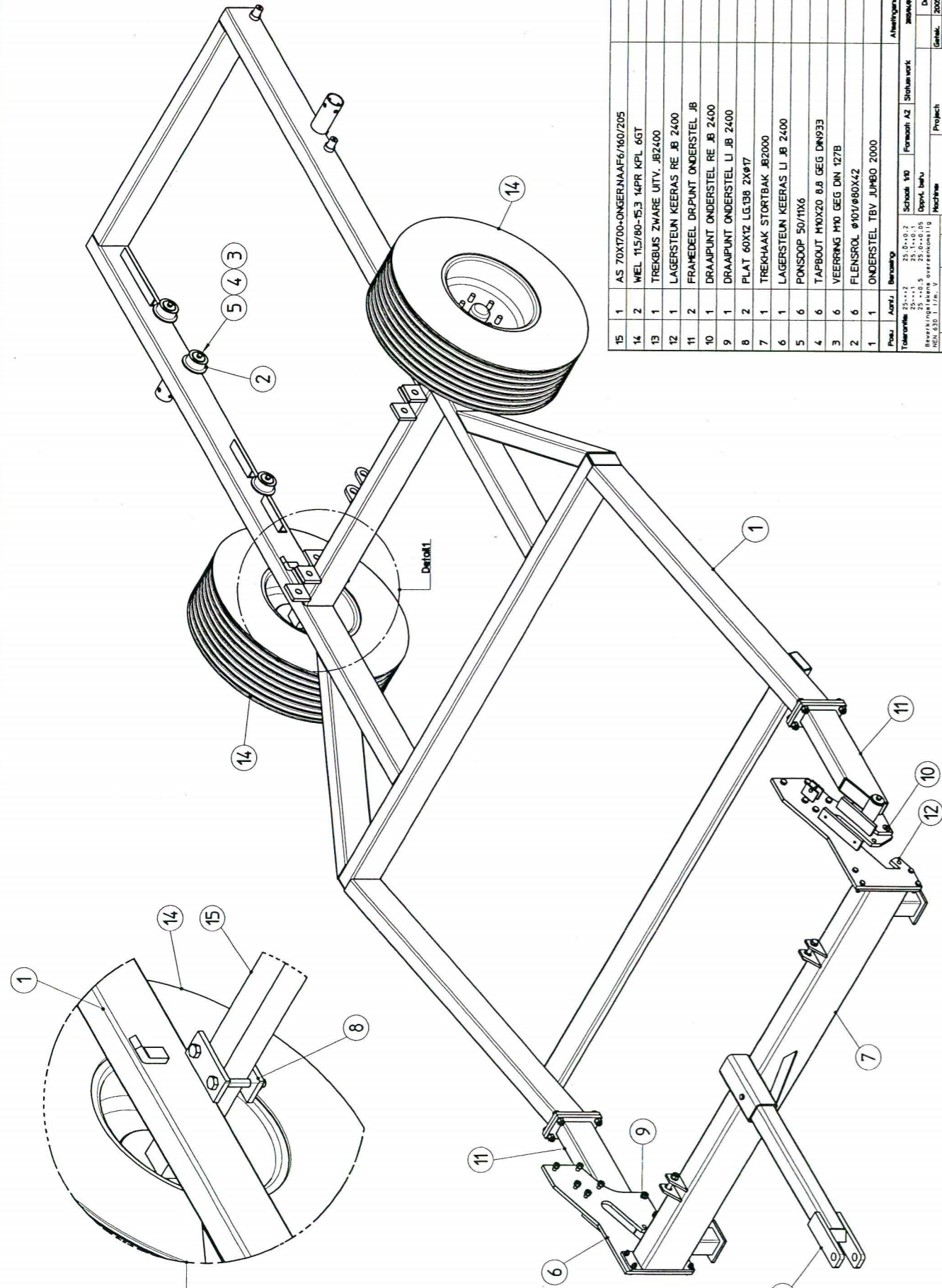
BIJLSMA HERCULES



| Pos. | Amt. | Benoaming | Afwijkingen | Ord. No. |
|------|------|---------------------------------|-------------|----------|
| 7 | 1 | MACHINEPLAAT CE 110X70X1111 NWI | | 74009550 |
| 6 | 1 | SAM. ELEKTRISCH FREQ. JB2400 | | S6520007 |
| 5 | 1 | SAM. VOOR-/ZUSCHOTTEN JB2000 | | S6500014 |
| 4 | 1 | SAM. AANDRYVING+Ketting JB2000 | | S6500013 |
| 3 | 1 | SAM. HOOGTEVERSTELLING JB2000 | | S6500012 |
| 2 | 1 | SAM. FRAMEDELEN STB JB2000 | | S6500011 |
| 1 | 1 | SAM. ONDERSTEL STORTBAK JB2000 | | S6500010 |

| Pos. | Amt. | Benoaming | Afwijkingen | Ord. No. |
|---------------------------------|------|---------------------------------------|-------------|-----------|
| Tolerantie | | 25-++2 | 25.0-+0.2 | |
| | | 25-+1 | 25.1-+0.1 | |
| | | 25-+0.5 | 25.0-+0.05 | |
| Bewerkingstolens overeenkomstig | | NEN 630 I 1/m. V | | |
| Oppl. beh. | | Schaak 100 | Formaat A1 | Staatwerk |
| Nachtb. | | 2005/04/04 | | |
| Goedgk. | | M.A.V. | | |
| Wijzngv. | | | | |
| Benoaming | | SAMENSTELLING STORTBAK JB2000 | | |
| Postb. | | POSTBUS 39 8800 AA FRANEKER - HOLLAND | | |
| Telefonnumm. | | 1811 0517-399777 | | |
| | | 1811 0517-396091 | | |
| E65.000,000 | | 2005/04/04 | | |

Deze tekening is eigendom van machinesfabriek Bilisma B.V. en mag zonder schriftelijke toestemming niet worden gereproduceerd, ook indien het nagegeven of voor andere te gebruiken is bedoeld.



| | | | |
|----|---|--------------------------------|----------|
| 15 | 1 | AS 70X700-ONGERNAAF/160/205 | 74010524 |
| 14 | 2 | WEL 115/80-15.3 14PR KPL 6GT | 74008200 |
| 13 | 1 | TREKBUS ZWARE UITY. JB2400 | 72003442 |
| 12 | 1 | LAGERSTEUN KEERAS RE JB 2400 | 75003354 |
| 11 | 2 | FRAMEDEEL DRPUNT ONDERSTEL JB | 75006261 |
| 10 | 1 | DRAAPPUNT ONDERSTEL RE JB 2400 | 75003352 |
| 9 | 1 | DRAAPPUNT ONDERSTEL LI JB 2400 | 75003351 |
| 8 | 2 | PLAT 60X12 LG.138 2XØ17 | 75000500 |
| 7 | 1 | TREKHAAK STORTBAK JB2000 | 75000666 |
| 6 | 1 | LAGERSTEUN KEERAS LI JB 2400 | 75003355 |
| 5 | 6 | PONSDOOP 50/11X6 | 74002282 |
| 4 | 6 | TAPBOUW 110X20 8.8 GEG DIN933 | 30271120 |
| 3 | 6 | VEERRING 110 GEG DIN 127B | 31467100 |
| 2 | 6 | FLENSROL Ø101/Ø80X42 | 74010504 |
| 1 | 1 | ONDERSTEL TBV JUMBO 2000 | 75006255 |

| | | | | |
|--------------------|-------------|--------------|------------|------------|
| Proef. | Aank. | Bereikt | Afgeleverd | Ontk. No. |
| Tekening | 23.11.02 | 23.11.02 | 23.11.02 | |
| Bevestigings | 23.11.02 | 23.11.02 | 23.11.02 | |
| REN 632 1 / 1 m. V | | | | |
| Schets 160 | Formaat A2 | Stationswerk | Revisie | Verisie 2 |
| Opzet bureau | | | Datum | Naam |
| Mechine | SAM JB 2000 | Project | Genak. | 2005/01/01 |
| | | | Gegevak. | N.A.V. |
| | | | Verigete | |

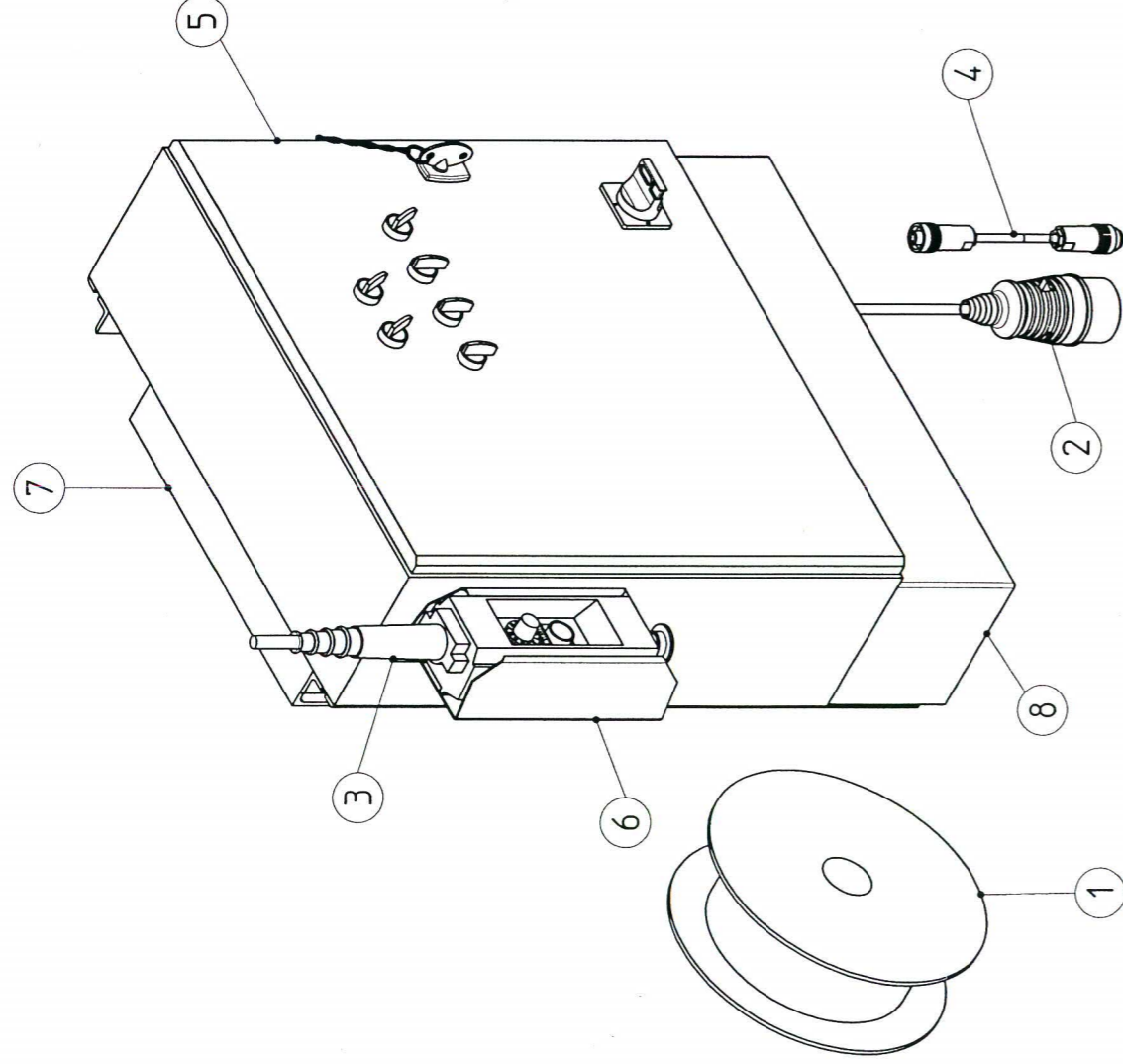
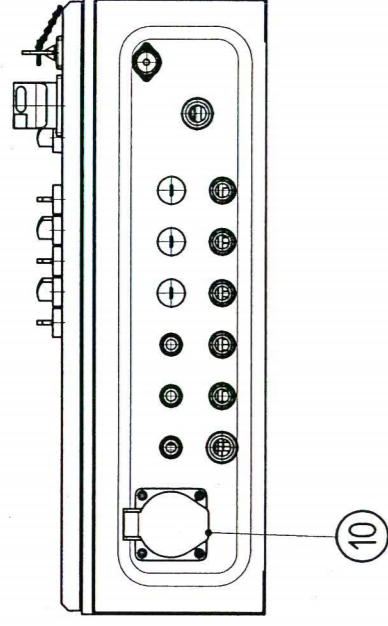
SAM ONDERSTEL STB JUMBO 2000

BILASMA BIERCULLES

FRANSLER 31 8430
 FRANSEKER 20 8430
 1 24 1 0517-316511
 1 24 1 0517-316511

S65.000.10

2005/01/01



| | | | | | | | | | | | |
|---------------------------------------------------|---|--------------------------------|------------|----------------------|-------------------------------|--------------|--------|--|--|--|----------|
| 10 | 1 | WANDC.DOOS CEE 4P 32/380 INB.Ø | | | | | | | | | 74008153 |
| 9 | 1 | STUURSTROOMSCHEMA SB+RE+OPSTA | | | | | | | | | 71004045 |
| 8 | 1 | PLAAT ONDER SCHAKELKAST | | | | | | | | | 75000727 |
| 7 | 1 | STEUN ELEKTRAKAST 600X600 | | | | | | | | | 75001597 |
| 6 | 1 | HOUDER DRUKKNOPKAST JB 2400 | | | | | | | | | 72005351 |
| 5 | 1 | SCHKAST COMP.STB-JUMBO XL EA | | | | | | | | | 75001603 |
| 4 | 1 | VERBINDINGSKABEL OPST.MOD.6MT | | | | | | | | | 74009510 |
| 3 | 1 | DRUKKNOPKAST + KABEL STB CON Ø | | | | | | | | | 74014111 |
| 2 | 1 | CONTACTSTOP 4P. CEE 32A/380V | | | | | | | | | 74008090 |
| 1 | 1 | KABELHASPEL ROL+STER+SP.BANDEN | | | | | | | | | 74005905 |
| Pos. | | Aant: | Benaming: | Afmetingen: | zorgvul. | Verieel 2 | | | | | |
| Tolerantie: | | 25.0+0.2 | 25.0+0.2 | Schaal: 1:10 | Format: A3 | Status: work | | | | | |
| Bewerkingsstekens overeenkomstig NEN 630 I 1/m. V | | 25.1+0.1 | 25.1+0.1 | Opvl. beh: | | | | | | | |
| | | 25.0+0.05 | 25.0+0.05 | Machine: SAM JB 2000 | Project: | | | | | | |
| | | | | | Getek.: | 2005/04/04 | W.A.V. | | | | |
| | | | | | Goedgek.: | | | | | | |
| | | | | | Vrijgave: | | | | | | |
| | | | | | Benaming: | | | | | | |
| 2 | | BEVRIJDELINGSDAATUM | 2005/04/04 | W.A.V. | | | | | | | |
| Rev. | | Omschr./Vrg | Datum | Gebr. | | | | | | | |
| | | | | | SAM. ELEKTRISCH FREQ. JB 2400 | | | | | | |
| | | | | | Tekeningsnummer: S65.20.007 | | | | | | |

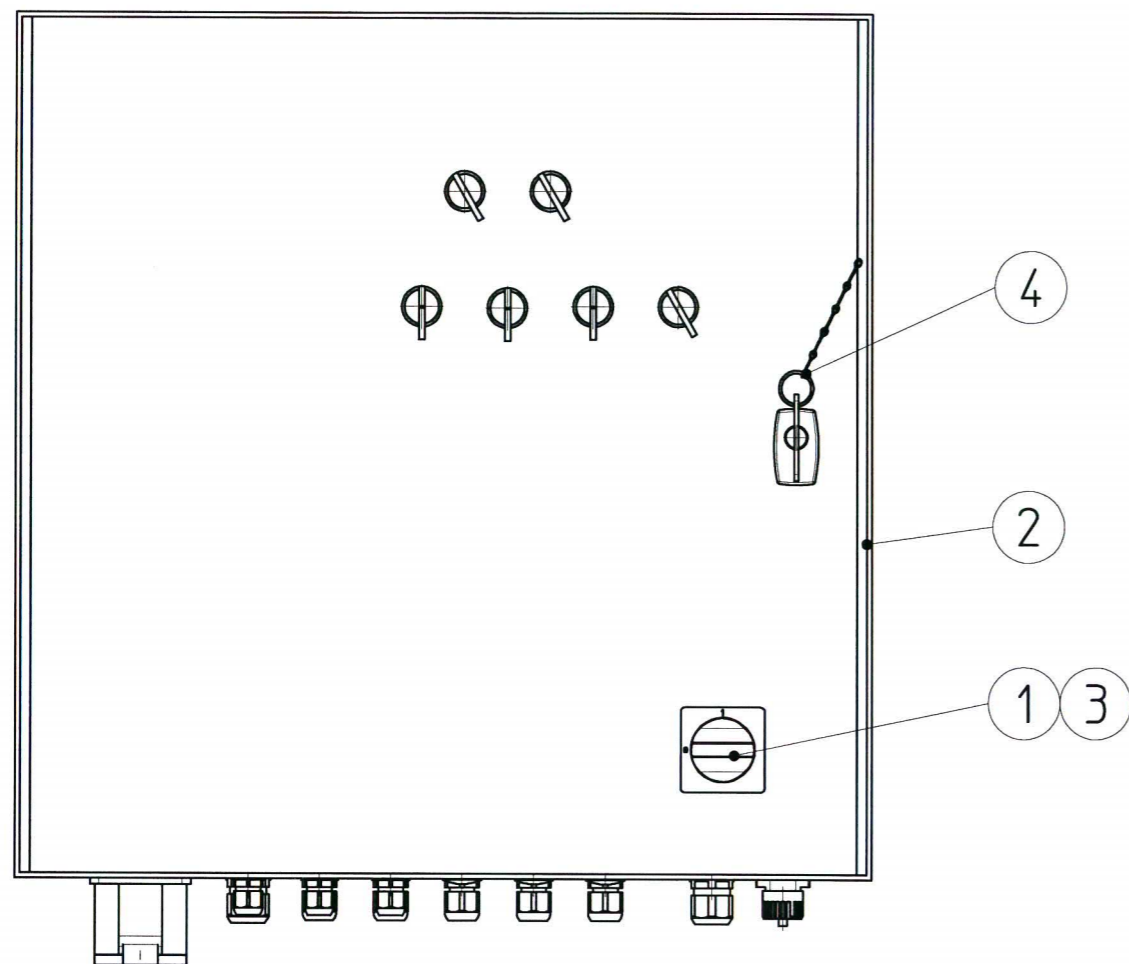


BILISMA BERCOULES

POSTBUS 35 8800 AA
FRANKER 35 HOLLAND
Tel.: 0517-39777
Fax.: 0517-396971

De afgeleverde tekening kan afwijken van de tekening op het scherm. Het is de tekening op het scherm die van toepassing is bij het gebruik van de software. Het is de tekening op het scherm die van toepassing is bij het gebruik van de software.

2005/04/04



| | | | | |
|---|---|--------------------------------|---|----------|
| 4 | 1 | BEVEST.VOOR SLEUTEL SARELKAST | x | 74002800 |
| 3 | 1 | EXTRA OND.KAST STB-JUMBO XL EA | x | 75001605 |
| 2 | 1 | BED.PANEEL SCHAK. STB-JUMBO XL | x | 75001346 |
| 1 | 1 | IND.SCHAKELK. STB-JUMBO XL EA | x | 75001604 |

| | | | | |
|-------|--------|-----------|-------------|----------|
| Pos.: | Aant.: | Benaming: | Afmetingen: | Ond. No: |
|-------|--------|-----------|-------------|----------|

| | | | | | | |
|------------------------------------------------------------------------------|-----------------------------------------------------------------------------|--------------|------------------------|--------------|-------------------|-------------|
| Tolerantie: 25 ₋ ±2 25 ₋ ±1 25 ₋ ±0,5 | 25,0 ₀ ±0,2 25,1 ₁ ±0,1 25,0 ₀ ±0,05 | Schaal: 1:1 | Formaat: A4S | Status: work | 2003/03/13 | Versie: 2 |
| Bewerkingstekens overeenkomstig NEN 630 I f/m. V | | Oppvl. beh.: | Machine: KAST STB COMP | Project: | Getek. 2003/03/13 | Naam W.A.V. |
| | | | | | Goedgek. | |
| | | | | | Vrijgave | |

| | | | | | |
|---|-----------------------------|------------|--------|-------------------------------|--|
| 2 | NEUWE KAST EN KLEMMENSTROOK | 2003/03/13 | W.A.V. | SCH.KAST COMP.STB-JUMBO XL EA | |
|---|-----------------------------|------------|--------|-------------------------------|--|

| | | | | | |
|------|--------------|-------|------|-----------------|-----------|
| Rev. | Omschrijving | Datum | Gew. | Tekeningnummer: | 750.01603 |
|------|--------------|-------|------|-----------------|-----------|

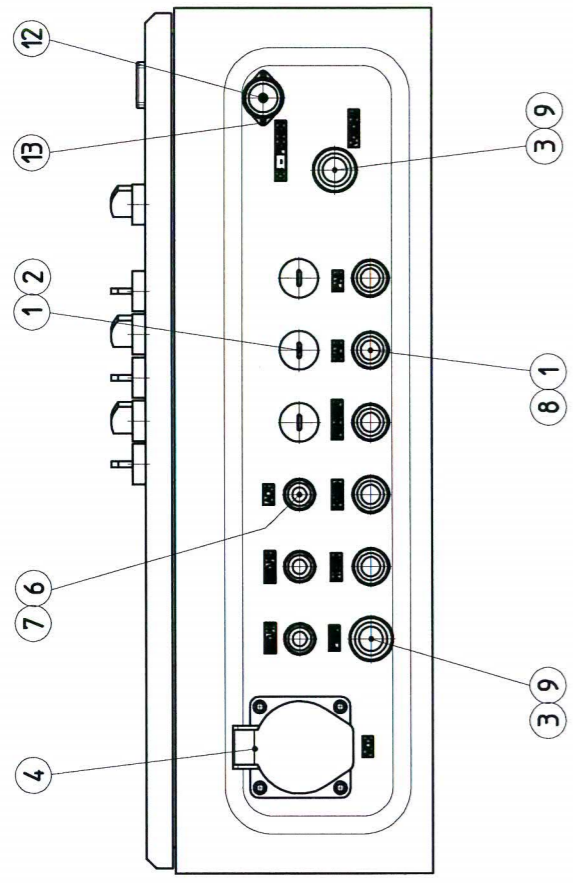


BIJLSMA HERCULES

POSTBUS 35 8800 AA
FRANEKER - HOLLAND
tel.: 0517-399777
fax.: 0517-396091

Deze tekening is eigendom van machinefabriek Bijlsma B.V. en mag zonder haar schriftelijke toestemming niet worden gekopieerd, aan derden ter inzage gegeven of voor namaak te behoeve van derden worden gebruikt.

2003/06/19



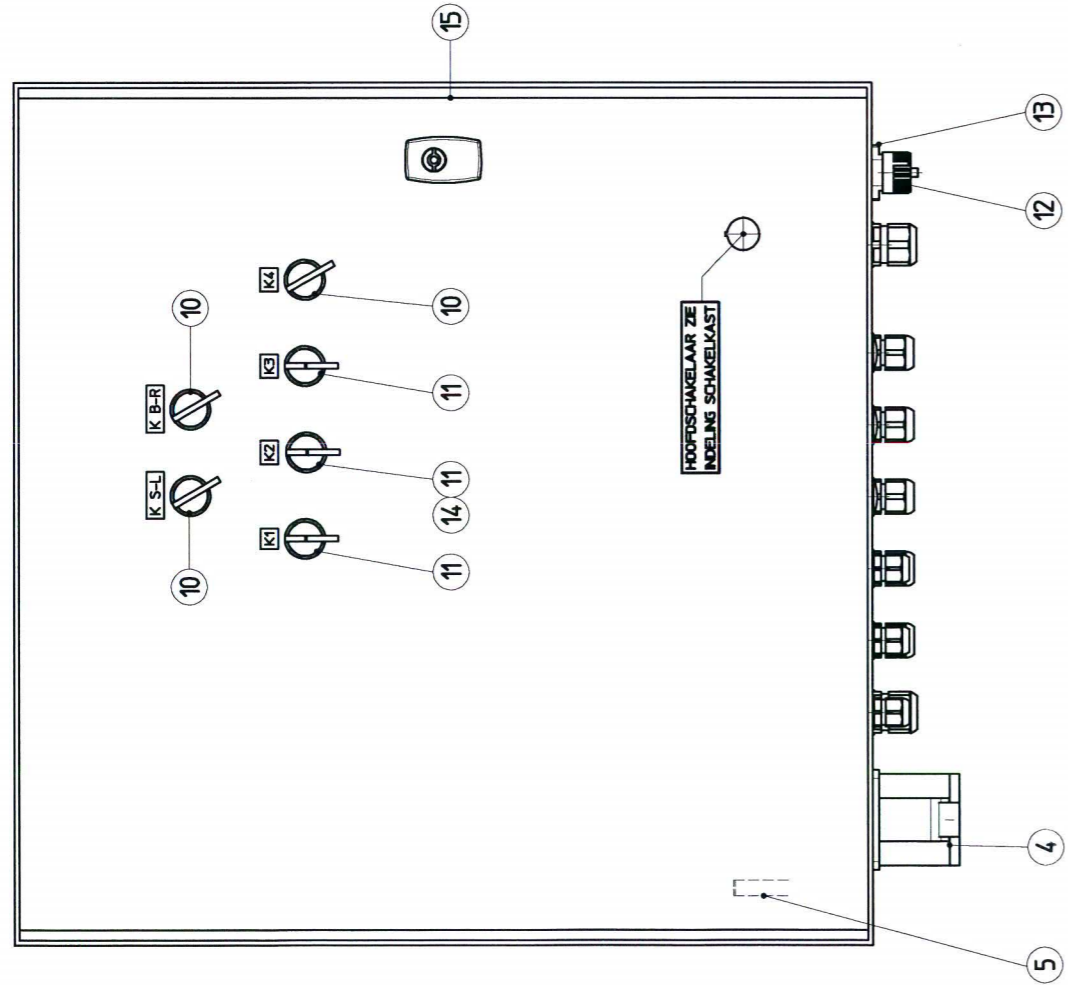
| | | | | |
|----|---|------------------------------------|---|------------|
| 15 | 1 | BOORPLAN KAST STB-JUMBO XL | X | 75003641 |
| 14 | 2 | CONTACTLEH. 1XNK ZBE-102 Ø | X | 74072145 |
| 13 | 1 | AANBOUWHUIS CA39S ZW 4P PENEN | X | 74008121 |
| 12 | 1 | BESCHERKAP TBV HJMS 74008121 | X | 74008123 |
| 11 | 3 | KEUZEKNOP 3ST XB4-BJ25 COMPL.Ø | X | 74072105 |
| 10 | 3 | KEUZEKNOP 2ST XB4-BJ25 COMPL.Ø | X | 74072104 |
| 9 | 2 | WARTELMOER H25X15 PA | X | 48112225 |
| 8 | 5 | WARTEL MOER H20X15 PA KABEL 6-1ØMM | X | 48112120 |
| 7 | 3 | WARTELMOER H16X15 PA | X | 48112216 |
| 6 | 3 | WARTEL H16X15 PA KABEL 4-1ØMM | X | 48112116 |
| 5 | 1 | LITZEKABEL 6MM2 LG.150MM-ØGEN | X | 74072027 |
| 4 | 1 | WANDCONTACTDOOS (ZE TEKLYST) | X | (74008153) |
| 3 | 2 | WARTEL H25X15 PA KABEL 9-17MM | X | 48112125 |
| 2 | 3 | BLINDSTOP H20X15 PA EYSG20 | X | 48112120 |
| 1 | 8 | WARTELMOER H20X15 PA | X | 48112220 |

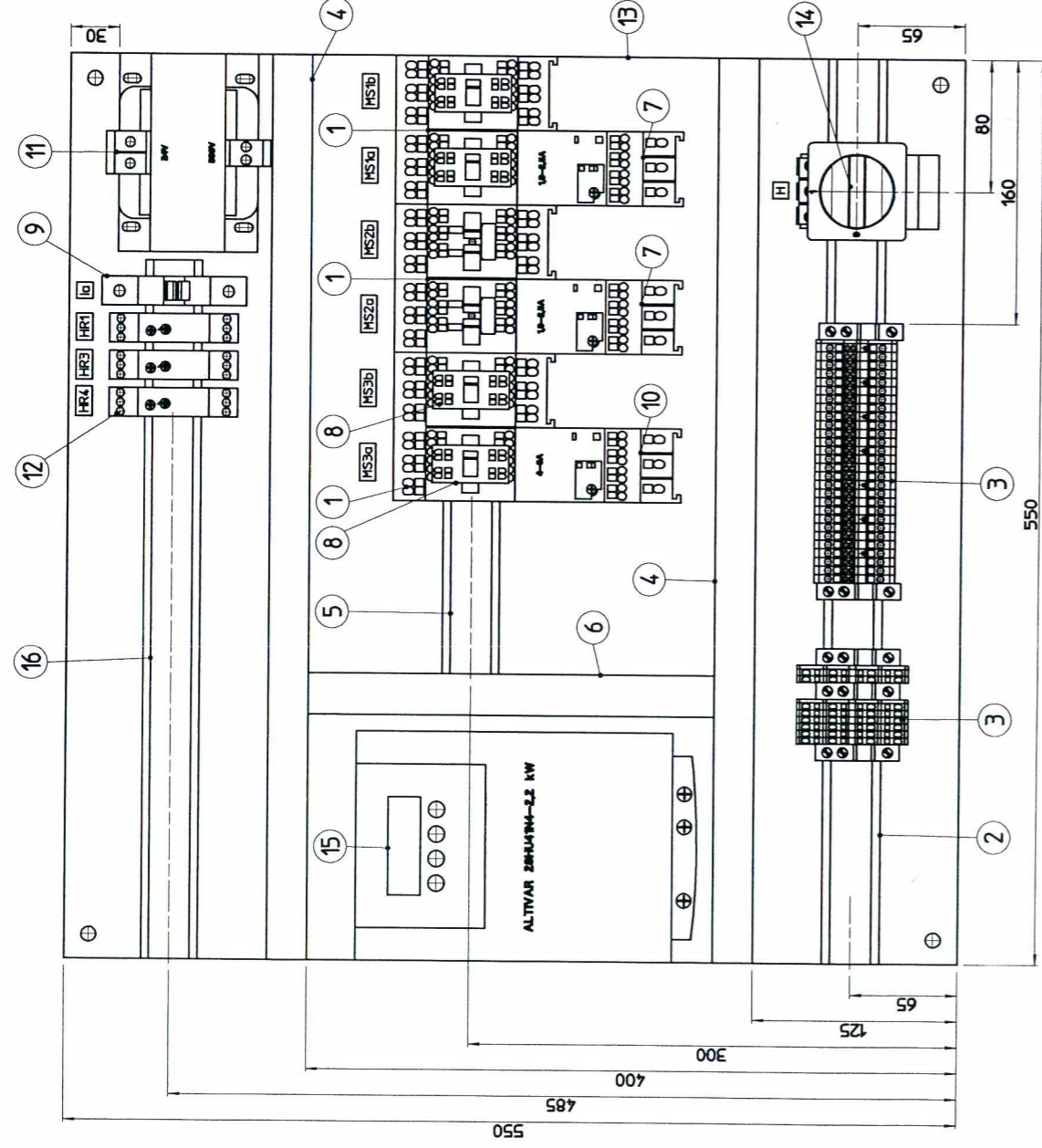
| Pos. | Amtz. | Berechtig. | Aanvragen | Ontf. No. |
|--------------------------------------|-----------|------------|-----------|----------------------|
| Tolerantie | 25.0+0.2 | Schade | 102 | Perman A2 Stukwerk |
| Max. afwijking | 25.0+0.5 | Optnt. bnd | | |
| Max. afwijking over de gehele lengte | 25.0+0.05 | Hoofzkn | | |
| Max. afwijking 1 m | 25.0+0.1 | Project | | |
| Max. afwijking 10 m | 25.0+0.2 | Berechtig. | | |
| Max. afwijking 100 m | 25.0+0.5 | Bevrijd | | |
| Max. afwijking 1 km | 25.0+1.0 | Gegeve | | |
| Max. afwijking 10 km | 25.0+2.0 | Wijziging | | |

BED.PANEEL SCHAK. STB-JUMBO XL
 POSTBUS 15 8400 AA
 RENNER 12 1053 AD
 RENNER 12 1053 AD
 Tel. : 0517-394931
 Fax : 0517-394932
 E-mail : info@energies.nl
 www.energies.nl

7500.1346

2009/04/19





Voor-aanzicht1

| Pos. | Amtz. | Benoaming | Schakel № | Periode AZ | Stroomwerk | Amperage | Variant | Doc. No. |
|------|-------|--------------------------------|-----------|------------|------------|----------|---------|----------|
| 16 | 1 | MONTAGEPANEL TS35-GLEUF LG.25 | | | | x | | 7005562 |
| 15 | 1 | FREUREG. ATY-ZBRUJENIA 2.2KW Ø | | | | x | | 7407291 |
| 14 | 1 | HOOFDSCHAK. 3FA VCI + VAS300 | | | | x | | 74005369 |
| 13 | 1 | MONTAGEPLAAT-550X550 | | | | x | | |
| 12 | 3 | TUDRELAIS MULTI MARI | | | | x | | 7400817 |
| 11 | 1 | TRAFD 400/24V-60VA CTZ43VN Ø | | | | x | | 7400814 |
| 10 | 1 | THERMOT.BEV. LRD-03 4.0-6.0 | | | | x | | 7400818 |
| 9 | 1 | INSTALLAUTOM1-P 6A S267B6 | | | | x | | 7400818 |
| 8 | 4 | HULPCONTACT LAD-N203 2X0 | | | | x | | 7400818 |
| 7 | 2 | THERMOT.BEV. LRD-073 1.6-2.5 | | | | x | | 7400818 |
| 6 | 1 | BEADRINGSKOKER 25X40 LG.250 | | | | x | | 7400818 |
| 5 | 1 | MONTAGEPANEL TS35-GLEUF LG.375 | | | | x | | 7006265 |
| 4 | 2 | BEADRINGSKOKER 25X40 LG.550 | | | | x | | 7006265 |
| 3 | 1 | KLEMPENSTROOK STB-JUMBO XL | | | | x | | 75003642 |
| 2 | 1 | MONTAGEPANEL TS35-GLEUF LG.550 | | | | x | | 7005562 |
| 1 | 3 | OPKEERSCHAK.24VAC LC2-D093B7 | | | | x | | 7400818 |

| Telefoonnr. | 23-11-12 | 23-11-12 | Schakel № | Periode AZ | Stroomwerk | Amperage | Variant | Doc. No. |
|-------------|----------|----------|-----------|------------|------------|----------|---------|----------|
| 23-11-12 | 23-11-12 | 23-11-12 | | | | | | |
| 23-11-12 | 23-11-12 | 23-11-12 | | | | | | |
| 23-11-12 | 23-11-12 | 23-11-12 | | | | | | |
| 23-11-12 | 23-11-12 | 23-11-12 | | | | | | |

| Project | Project | Project | Project | Project | Project |
|--------------------------------|--------------------------------|--------------------------------|--------------------------------|--------------------------------|--------------------------------|
| IND. SCHAKELK. STB-JUMBO XL EA | IND. SCHAKELK. STB-JUMBO XL EA | IND. SCHAKELK. STB-JUMBO XL EA | IND. SCHAKELK. STB-JUMBO XL EA | IND. SCHAKELK. STB-JUMBO XL EA | IND. SCHAKELK. STB-JUMBO XL EA |

IND. SCHAKELK. STB-JUMBO XL EA

7500.1604

2023/09/29



BILISMA ENGINEERS

PO BOX 30, 800 AA

1411, 2311 ZP

1411, 2311 ZP

1411, 2311 ZP

1411, 2311 ZP

1411, 2311 ZP

1411, 2311 ZP

1411, 2311 ZP

1411, 2311 ZP

1411, 2311 ZP

1411, 2311 ZP

1411, 2311 ZP

1411, 2311 ZP

1411, 2311 ZP

1411, 2311 ZP

1411, 2311 ZP

1411, 2311 ZP

1411, 2311 ZP

1411, 2311 ZP

1411, 2311 ZP

1411, 2311 ZP

1411, 2311 ZP

1411, 2311 ZP

1411, 2311 ZP

1411, 2311 ZP

1411, 2311 ZP

1411, 2311 ZP

1411, 2311 ZP

1411, 2311 ZP

1411, 2311 ZP

1411, 2311 ZP

1411, 2311 ZP

1411, 2311 ZP

1411, 2311 ZP

1411, 2311 ZP

1411, 2311 ZP

1411, 2311 ZP

1411, 2311 ZP

1411, 2311 ZP

1411, 2311 ZP

1411, 2311 ZP

1411, 2311 ZP

1411, 2311 ZP

1411, 2311 ZP

1411, 2311 ZP

1411, 2311 ZP

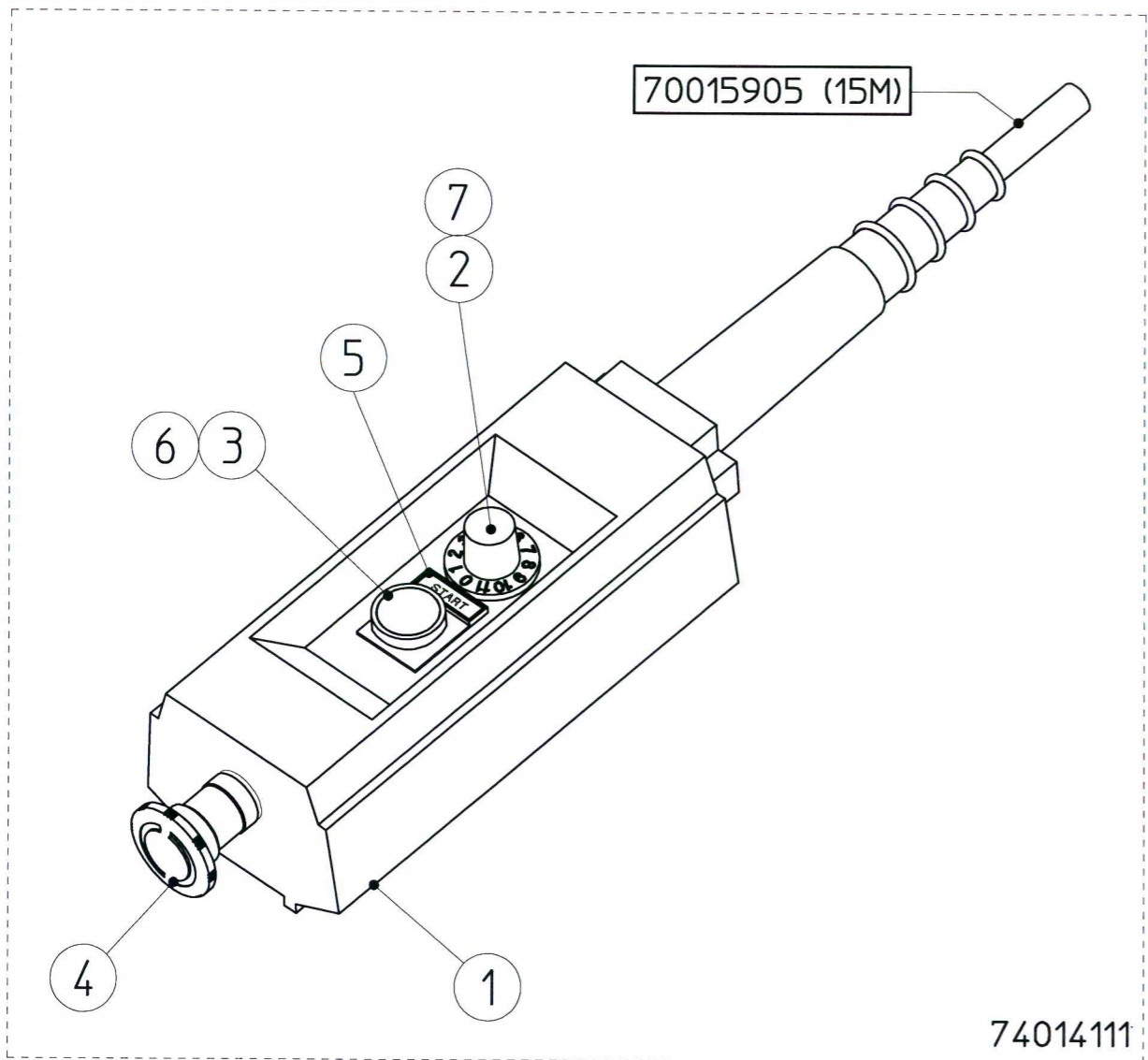
1411, 2311 ZP

1411, 2311 ZP

1411, 2311 ZP

1411, 2311 ZP

1411, 2311 ZP



70015905 (15M)

74014111

| | | | |
|---|---|--------------------------------|----------|
| 7 | 1 | CARROSS. RING M10 GEG DIN 9021 | 31463100 |
| 6 | 1 | CONTACTELEM. 1XNO ZBE-101 @ | 74012144 |
| 5 | 1 | ETIKET START ZBY-2303 @ | 74012153 |
| 4 | 1 | VUISTSLAGKNOP XBS-544 COMPL.@ | 74012119 |
| 3 | 1 | DRUKKNOP XB4-BA21 ZWART COMPL. | 74012107 |
| 2 | 1 | POTMETER 2,2KOHM (+KNOP+SCH.)@ | 74008189 |
| 1 | 1 | DRUKKNOPKAST XAC-B02 (LEEG) | 74008128 |

| | | | | |
|-------|--------|-----------|-------------|----------|
| Pos.: | Aant.: | Benaming: | Afmetingen: | Ond. No: |
|-------|--------|-----------|-------------|----------|

| | | | | | | | | |
|----------------------------------------------------------|--------------|-----------------------------------------------------|------|---------------|--------------|--------------|------------|-----------|
| Tolerantie: 25 \pm 0.2 25 \pm 0.1 25 \pm 0.5 | | 25.0 \pm 0.2 25.1 \pm 0.1 25.0 \pm 0.05 | | Schaal: 1:2.5 | Formaat: A4S | Status: work | 2001/07/02 | Versie: 1 |
| Bewerkingstekens overeenkomstig NEN 630 I t/m. V | | | | Oppvl. beh.: | Datum | Naam | Projectie | |
| Machine: | | Project: | | Getek. | 2001/07/02 | W.A.V. | | |
| DKK CON KPL | | | | Goedgek. | | | | |
| | | | | Vrijgave | | | | |
| Benaming: DRUKKNOPKAST COMPL. FREQ.CON @ | | | | | | | | |
| Rev. | Omschrijving | Datum | Gew: | | | | | |



BIJLSMA HERCULES

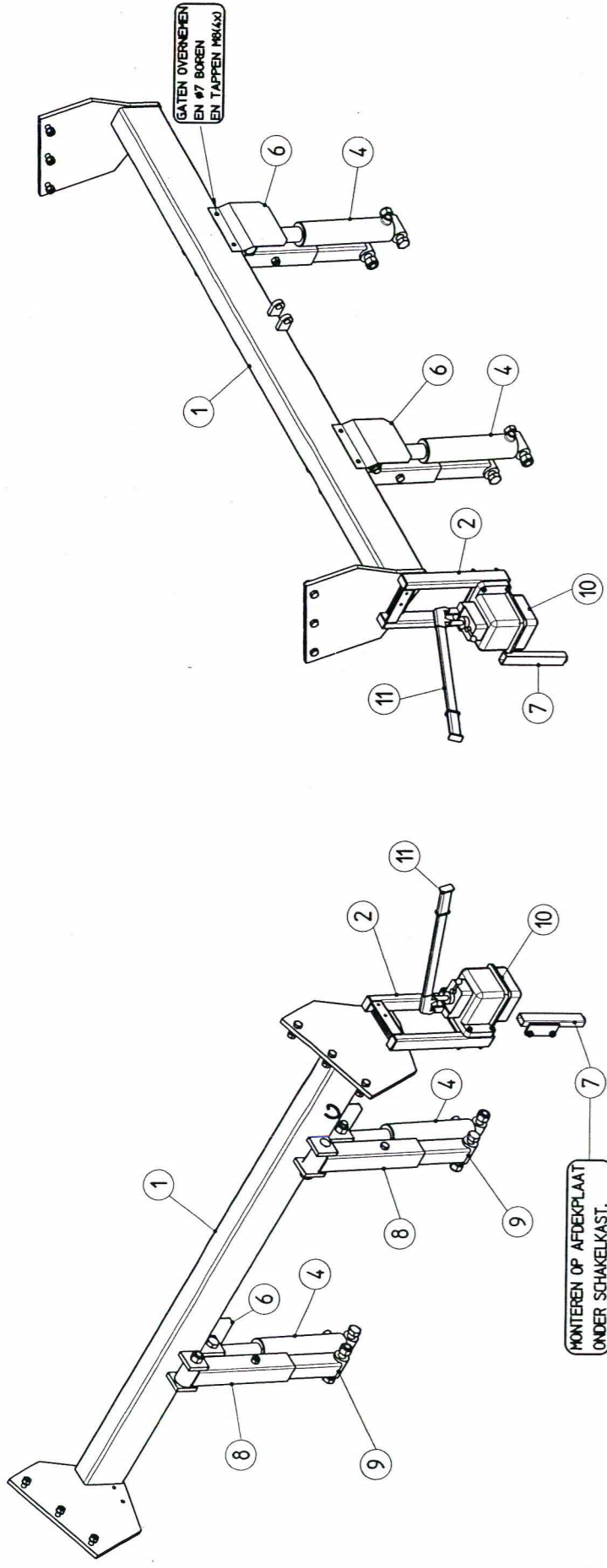
POSTBUS 35 8800 AA
FRANEKER - HOLLAND
tel.: 0517-399777
fax.: 0517-396091

Tekeningnummer:

740.14.110

Deze tekening is eigendom van machinefabriek Bijlsma B.V. en mag zonder haar schriftelijke toestemming niet worden gekopieerd, aan derden ter inzage gegeven of voor namdak te behoeve van derden worden gebruikt.

2005/04/19



GATEN OVERNEMEN
EN #7 BOREN
EN TAPPEN M8x30

MONTEREN OP AFDEKPLAAT
ONDER SCHAKELKAST.

| | | | |
|----|-----|--------------------------------|----------|
| 11 | (1) | HENDEL VAN HANDPOMP 74000874 | 74008292 |
| 10 | (1) | POMP DUBBELW. Z5CC/SL-3L.TR. | 74000874 |
| 9 | 2 | ONDERSTE DEEL STEUN JB 2400 | 75003423 |
| 8 | 2 | BOVENSTE DEEL STEUN JB 2400 | 75003421 |
| 7 | 1 | BEVHENDEL POMP KIPPERS | 74005696 |
| 6 | 2 | AFDEKPLAAT 220X200 ZX67 JB2400 | 75003477 |
| 5 | 2 | NYLDOEGER M24 GEG. DIN934 | 30584930 |
| 4 | 2 | CLINDER E50/485/200 C025/S025 | 75003424 |
| 3 | 2 | BOUT M24X140 8.8 GEG DIN931 | 30275741 |
| 2 | 1 | POMPSTEUN TBV HOOGTEVERST. JB | 75004414 |
| 1 | 1 | BEVESTIGING CLINDERS JB 2000 | 75003364 |

HYDRAULISCH SCHEMA - 75005446
 HYDRAULIC DIAGRAM - 75005446
 HYDRAULISCH SCHALTPLAN - 75005446
 SCHEMA HYDRAULIQUE - 75005446

| | | | |
|-------------|-------------|-------------|--|
| Project | SAM JB 2000 | Project | |
| Ontwerp | | Ontwerp | |
| Check | | Check | |
| Wijziging | | Wijziging | |
| Uitvoering | | Uitvoering | |
| Bevestiging | | Bevestiging | |
| Materialen | | Materialen | |
| 25.1.10.1 | | 25.1.10.2 | |
| 25.1.10.5 | | 25.1.10.95 | |
| 25.1.10.10 | | 25.1.10.10 | |
| 25.1.10.15 | | 25.1.10.15 | |
| 25.1.10.20 | | 25.1.10.20 | |
| 25.1.10.25 | | 25.1.10.25 | |
| 25.1.10.30 | | 25.1.10.30 | |
| 25.1.10.35 | | 25.1.10.35 | |
| 25.1.10.40 | | 25.1.10.40 | |
| 25.1.10.45 | | 25.1.10.45 | |
| 25.1.10.50 | | 25.1.10.50 | |
| 25.1.10.55 | | 25.1.10.55 | |
| 25.1.10.60 | | 25.1.10.60 | |
| 25.1.10.65 | | 25.1.10.65 | |
| 25.1.10.70 | | 25.1.10.70 | |
| 25.1.10.75 | | 25.1.10.75 | |
| 25.1.10.80 | | 25.1.10.80 | |
| 25.1.10.85 | | 25.1.10.85 | |
| 25.1.10.90 | | 25.1.10.90 | |
| 25.1.10.95 | | 25.1.10.95 | |
| 25.1.10.100 | | 25.1.10.100 | |
| 25.1.10.105 | | 25.1.10.105 | |
| 25.1.10.110 | | 25.1.10.110 | |
| 25.1.10.115 | | 25.1.10.115 | |
| 25.1.10.120 | | 25.1.10.120 | |
| 25.1.10.125 | | 25.1.10.125 | |
| 25.1.10.130 | | 25.1.10.130 | |
| 25.1.10.135 | | 25.1.10.135 | |
| 25.1.10.140 | | 25.1.10.140 | |
| 25.1.10.145 | | 25.1.10.145 | |
| 25.1.10.150 | | 25.1.10.150 | |
| 25.1.10.155 | | 25.1.10.155 | |
| 25.1.10.160 | | 25.1.10.160 | |
| 25.1.10.165 | | 25.1.10.165 | |
| 25.1.10.170 | | 25.1.10.170 | |
| 25.1.10.175 | | 25.1.10.175 | |
| 25.1.10.180 | | 25.1.10.180 | |
| 25.1.10.185 | | 25.1.10.185 | |
| 25.1.10.190 | | 25.1.10.190 | |
| 25.1.10.195 | | 25.1.10.195 | |
| 25.1.10.200 | | 25.1.10.200 | |
| 25.1.10.205 | | 25.1.10.205 | |
| 25.1.10.210 | | 25.1.10.210 | |
| 25.1.10.215 | | 25.1.10.215 | |
| 25.1.10.220 | | 25.1.10.220 | |
| 25.1.10.225 | | 25.1.10.225 | |
| 25.1.10.230 | | 25.1.10.230 | |
| 25.1.10.235 | | 25.1.10.235 | |
| 25.1.10.240 | | 25.1.10.240 | |
| 25.1.10.245 | | 25.1.10.245 | |
| 25.1.10.250 | | 25.1.10.250 | |
| 25.1.10.255 | | 25.1.10.255 | |
| 25.1.10.260 | | 25.1.10.260 | |
| 25.1.10.265 | | 25.1.10.265 | |
| 25.1.10.270 | | 25.1.10.270 | |
| 25.1.10.275 | | 25.1.10.275 | |
| 25.1.10.280 | | 25.1.10.280 | |
| 25.1.10.285 | | 25.1.10.285 | |
| 25.1.10.290 | | 25.1.10.290 | |
| 25.1.10.295 | | 25.1.10.295 | |
| 25.1.10.300 | | 25.1.10.300 | |
| 25.1.10.305 | | 25.1.10.305 | |
| 25.1.10.310 | | 25.1.10.310 | |
| 25.1.10.315 | | 25.1.10.315 | |
| 25.1.10.320 | | 25.1.10.320 | |
| 25.1.10.325 | | 25.1.10.325 | |
| 25.1.10.330 | | 25.1.10.330 | |
| 25.1.10.335 | | 25.1.10.335 | |
| 25.1.10.340 | | 25.1.10.340 | |
| 25.1.10.345 | | 25.1.10.345 | |
| 25.1.10.350 | | 25.1.10.350 | |
| 25.1.10.355 | | 25.1.10.355 | |
| 25.1.10.360 | | 25.1.10.360 | |
| 25.1.10.365 | | 25.1.10.365 | |
| 25.1.10.370 | | 25.1.10.370 | |
| 25.1.10.375 | | 25.1.10.375 | |
| 25.1.10.380 | | 25.1.10.380 | |
| 25.1.10.385 | | 25.1.10.385 | |
| 25.1.10.390 | | 25.1.10.390 | |
| 25.1.10.395 | | 25.1.10.395 | |
| 25.1.10.400 | | 25.1.10.400 | |
| 25.1.10.405 | | 25.1.10.405 | |
| 25.1.10.410 | | 25.1.10.410 | |
| 25.1.10.415 | | 25.1.10.415 | |
| 25.1.10.420 | | 25.1.10.420 | |
| 25.1.10.425 | | 25.1.10.425 | |
| 25.1.10.430 | | 25.1.10.430 | |
| 25.1.10.435 | | 25.1.10.435 | |
| 25.1.10.440 | | 25.1.10.440 | |
| 25.1.10.445 | | 25.1.10.445 | |
| 25.1.10.450 | | 25.1.10.450 | |
| 25.1.10.455 | | 25.1.10.455 | |
| 25.1.10.460 | | 25.1.10.460 | |
| 25.1.10.465 | | 25.1.10.465 | |
| 25.1.10.470 | | 25.1.10.470 | |
| 25.1.10.475 | | 25.1.10.475 | |
| 25.1.10.480 | | 25.1.10.480 | |
| 25.1.10.485 | | 25.1.10.485 | |
| 25.1.10.490 | | 25.1.10.490 | |
| 25.1.10.495 | | 25.1.10.495 | |
| 25.1.10.500 | | 25.1.10.500 | |

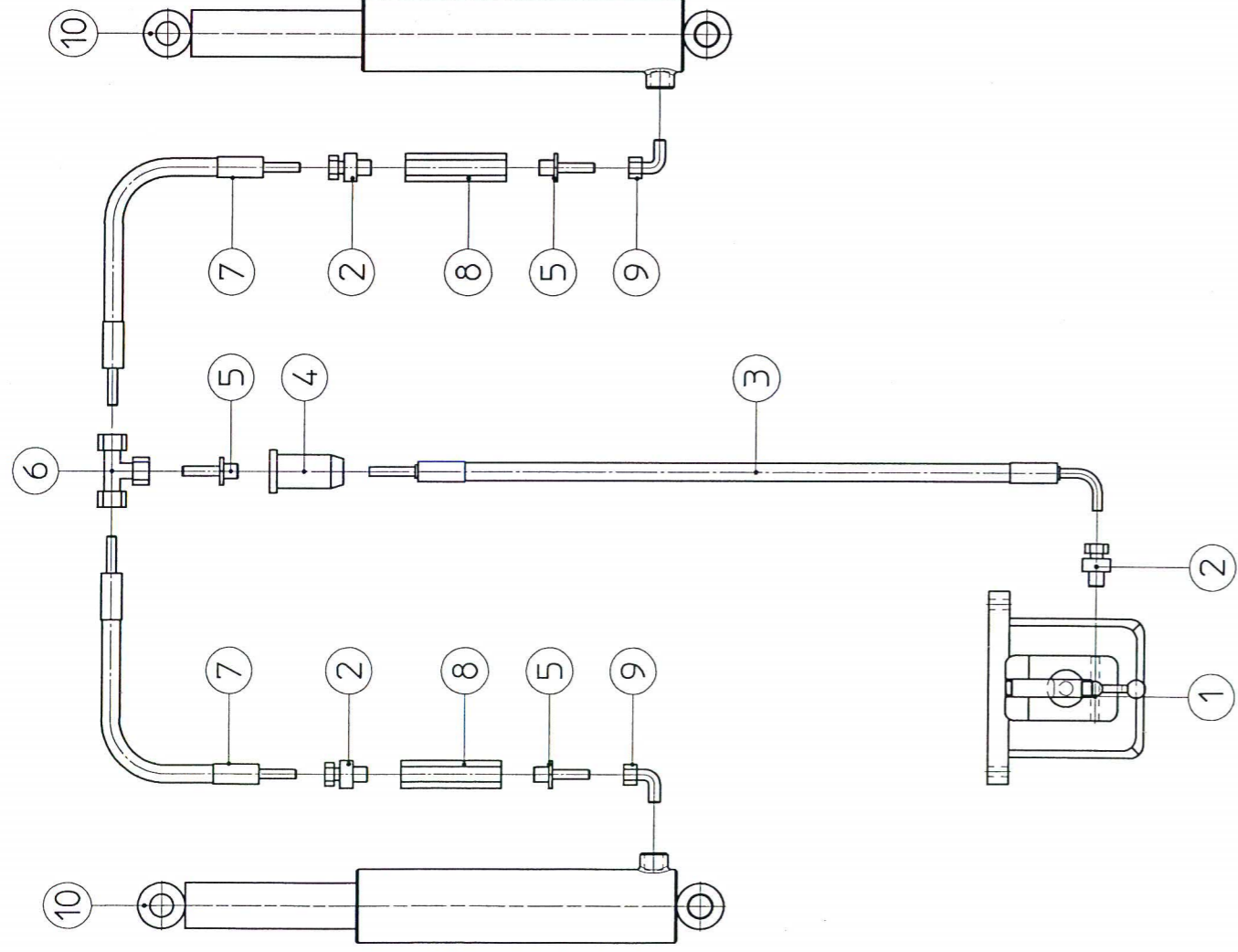
SAM. HOOGTEVERSTELLING JB2000

BULLSWA HYDRAULICS

REKINGEN 35 8620 AA
 TEL. : 0517-398227
 FAX : 0517-398227
 E-MAIL : info@bullswa.nl

20050404

S6500.012



| | | | |
|----|---|-------------------------------|----------|
| 10 | 2 | EW CLINDER E50-200-C025-S025 | 75003424 |
| 9 | 2 | HAakse Conn. P08+G1/4"BU * | 70032710 |
| 8 | 2 | SLANGBREUKBEV. VB14/F (1/4"G) | 74006464 |
| 7 | 2 | HD-SLANG 6X650 STP8+STP8 * | 70022603 |
| 6 | 1 | T-VERBINDING MET BEV.JUMBO | 75007414 |
| 5 | 3 | PYPCONNECTIE SP8+G1/4"BU * | 70032625 |
| 4 | 1 | SMOORVENTIEL G1/4" INSTELB. * | 70030272 |
| 3 | 1 | HD-SLANG 6X2500 2XSP8 1X90° * | 75004411 |
| 2 | 3 | RINSCH.CONN. P08+G1/4"BU * | 70032580 |
| 1 | 1 | POMP DUBBELW. 25CC/SL.-3LTR. | 74000874 |

| | | | | | | |
|----------------------|---------|------------|--------------|--------------|-----------|-------------|
| Pos: | Aantal: | Benaming: | Afmeltingen: | Ornd. Nr: | | |
| Tolerantie: 25-±0.12 | 25-±0.1 | 25.0-±0.2 | Schaal: 1:5 | Status: werk | 20050427 | Verke: 1-08 |
| 25-±0.1 | 25-±0.1 | 25.1-±0.1 | Oppvl. beh: | Project: | Datum | Naam |
| 25-±0.5 | 25-±0.5 | 25.0-±0.05 | Machline: | HD HV JB | 2005/0427 | W.A.V. |
| MEN 630 I / r/n. V | | | Benaming: | | Goedgek. | Vrijgave |

HYDRAULIEK HOOGTEVERST JUMBO

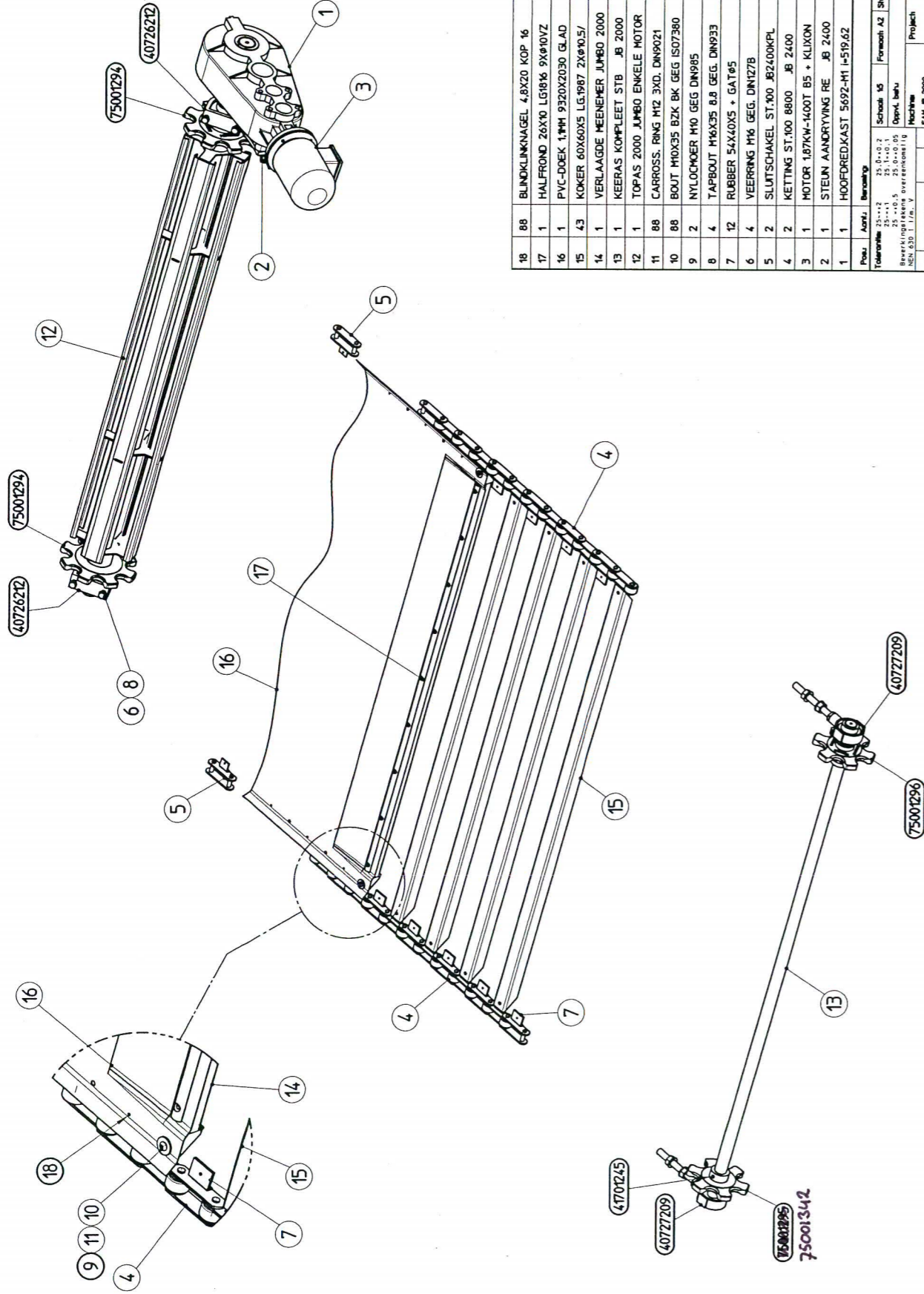
POSTBUS 35 8800 AA
FRANKER - HOLLAND
TEL : 0517-326091
FAX : 0517-326091

BUTJ SMA BERGCUJLES

Deze tekening is eigendom van de afzender. Het kopiëren, verspreiden of anderszins openbaar maken van deze tekening, hetzij in geheel of ten dele, is strafbaar. De afzender aanvaardt geen aansprakelijkheid voor schade van welke aard ook voortvloeiende uit het gebruik van de afgeleverde tekening, hetzij in geheel of ten dele.

Tekeningnummer: **750.05.446**

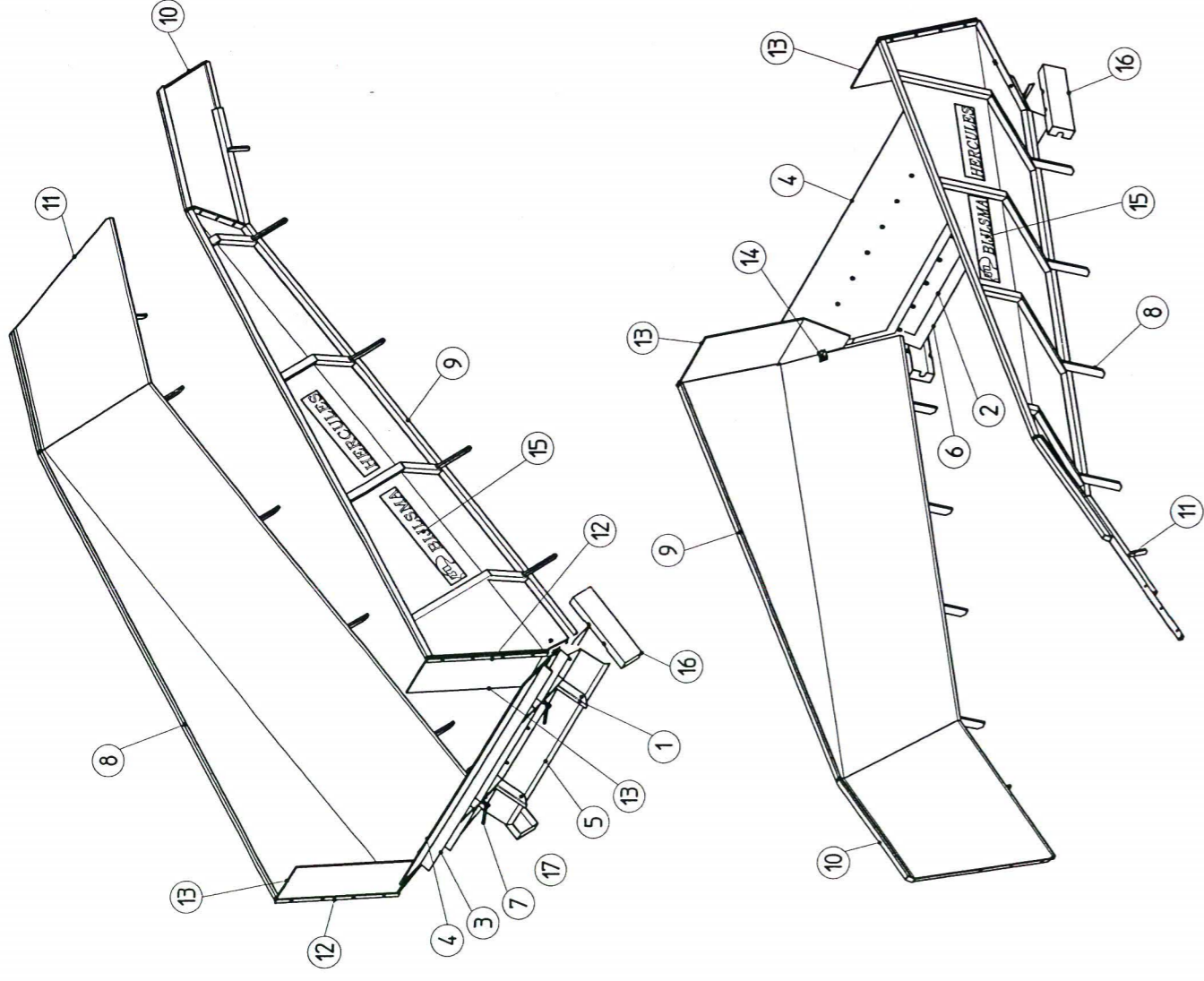
2005/04/27



| | | | |
|----|----|--------------------------------|----------|
| 18 | B8 | BLINDKLINKNAGEL 4,8X20 KOP 16 | 30704520 |
| 17 | 1 | HALFROND 26X10 LG1816 9X10VZ | 75003375 |
| 16 | 1 | PVC-DOEK 1,1MM 9320X2030 GLAD | 74059907 |
| 15 | 43 | KOKER 60X60X5 LG.987 2X19,5/ | 75000668 |
| 14 | 1 | VERLAAGDE MEENEKER JUMBO 2000 | 75003383 |
| 13 | 1 | KEERAS KOMPLEET STB .JB 2000 | 75000676 |
| 12 | 1 | TOPAS 2000 JUMBO ENKELE MOTOR | 75007281 |
| 11 | B8 | CARROSS. RING M12 3XD. DN9021 | 31462200 |
| 10 | B8 | BOUT M10X35 BZK BK GEG ISO7380 | 30365195 |
| 9 | 2 | NYLOCKER M10 GEG DIN985 | 30584100 |
| 8 | 4 | TAPBOUT M10X35 8,8 GEG. DIN933 | 30271435 |
| 7 | 12 | RUBBER 5,4X40X5 + GAT15 | 74008787 |
| 6 | 4 | VEERRING M6 GEG. DIN1278 | 31467400 |
| 5 | 2 | SLUTSCHAKEL ST.100 .JB24100KPL | 74055817 |
| 4 | 2 | KETTING ST.100 8800 .JB 2400 | 75000556 |
| 3 | 1 | MOTOR 1,87KW-1400T B5 + KLIXON | 74051556 |
| 2 | 1 | STELIN AANDRYVING RE .JB 2400 | 75000440 |
| 1 | 1 | HOOPREDKAST 5692-M1 i=519,62 | 74014680 |

| | | | | |
|------|-------|----------|-----------|----------|
| Pos. | Aord. | Bewoort. | Aanvragen | Doc. Nr. |
| 1 | 1 | 1 | 1 | 1 |
| 2 | 1 | 1 | 1 | 1 |
| 3 | 1 | 1 | 1 | 1 |
| 4 | 1 | 1 | 1 | 1 |
| 5 | 1 | 1 | 1 | 1 |
| 6 | 1 | 1 | 1 | 1 |
| 7 | 1 | 1 | 1 | 1 |
| 8 | 1 | 1 | 1 | 1 |
| 9 | 1 | 1 | 1 | 1 |
| 10 | 1 | 1 | 1 | 1 |
| 11 | 1 | 1 | 1 | 1 |
| 12 | 1 | 1 | 1 | 1 |
| 13 | 1 | 1 | 1 | 1 |
| 14 | 1 | 1 | 1 | 1 |
| 15 | 1 | 1 | 1 | 1 |
| 16 | 1 | 1 | 1 | 1 |
| 17 | 1 | 1 | 1 | 1 |
| 18 | 1 | 1 | 1 | 1 |

SAM. AANDRYVING+KETING JB2000
 2005/04/04
 S65,00,013
 2005/04/04

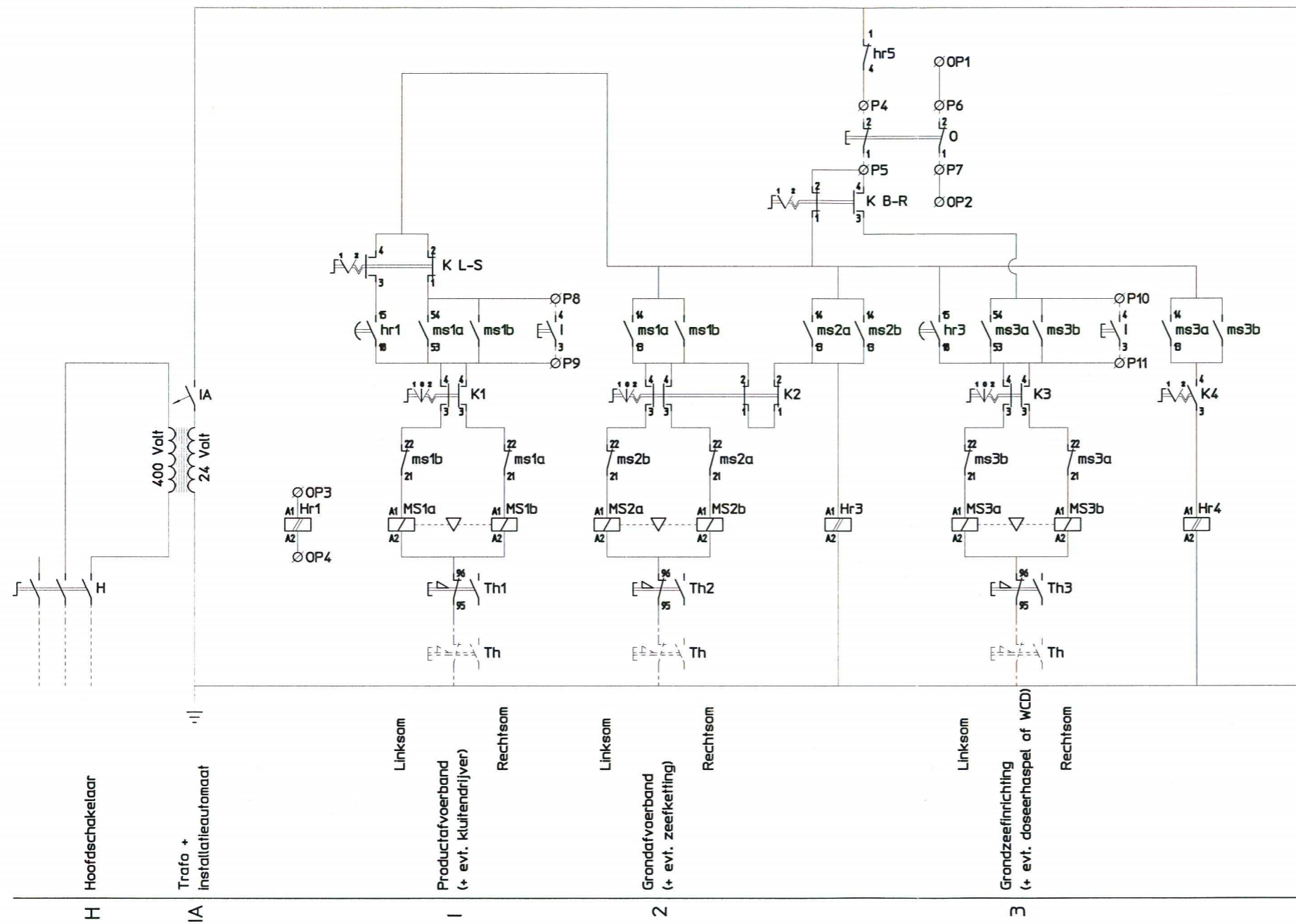


| | | | |
|----|---|---------------------------------|----------|
| 16 | 2 | LAGERAFSCHERMING STORTBAK K.A.S | 75006641 |
| 15 | 4 | STICKER 137X13 ZWART OP TRANS | 75009944 |
| 14 | 2 | BEV/RUBBER OP ZYSCHOT CONV/6500 | 74002987 |
| 13 | 2 | RUBBER 10MM 1090X450 JB 2000 | 75000692 |
| 12 | 2 | PLAT 40X8 LG.600 4X#9 | 75000691 |
| 11 | 1 | ZYSCHOT LJ HORD.BOV. JB 2000 | 75003471 |
| 10 | 1 | ZYSCHOT RE HORD.BOV. JB 2000 | 75003474 |
| 9 | 1 | ZYSCHOT RE OPVOEREND JB 2000 | 75001666 |
| 8 | 1 | ZYSCHOT LJ OPVOEREND JB 2000 | 75001664 |
| 7 | 2 | KLEMBOUT M4X35 JB 2400 | 75000710 |
| 6 | 1 | KARREDOEK 210X195 JB 2000 | 75000709 |
| 5 | 1 | PLAAT 3MM VOORSCHOT JB 2000 | 75000711 |
| 4 | 1 | RUBBER 10MM 2600X600 JB 2000 | 75000708 |
| 3 | 1 | HOOGTE VERSTINSTORT JB 2000 | 75000706 |
| 2 | 1 | RUBBER 2020X14X8 JB 2000 | 75000712 |
| 1 | 1 | VOORSCHOT STORTBAK JB 2000 | 75000701 |

| | | | | |
|------------------|-------------|------------|------------------|------------|
| Proef. | Arch. | Berekening | Aanwijzingen | Doc. No. |
| Tekening | 25.10.71 | 25.10.71 | 25.10.71 | 25.10.71 |
| Revisie | 25.10.71 | 25.10.71 | 25.10.71 | 25.10.71 |
| Ver. | 25.10.71 | 25.10.71 | 25.10.71 | 25.10.71 |
| Overeenkomstig | | | | |
| Machine | SAM JB 2000 | Project | | |
| Materialen | | | | |
| Datum | | | | |
| Plaats | | | | |
| Opdrachtgever | | | | |
| School No | Formaat A2 | Stukwerk | Bladzaken | Versteek 2 |
| Opdr. No | | | Datum | Naam |
| Gepl. 2005/04/04 | | | Gepl. 2005/04/04 | M.A.V. |
| Gepl. 2005/04/04 | | | Gepl. 2005/04/04 | M.A.V. |
| Gepl. 2005/04/04 | | | Gepl. 2005/04/04 | M.A.V. |

BALASMA HERCULES
 BALKEN EN TRILLEN
 Oude Herengracht 10, 1017 CA Amsterdam
 Tel. 020-617-3322
 Fax. 020-617-3323
 E-mail: info@balsma.nl
 Website: www.balsma.nl

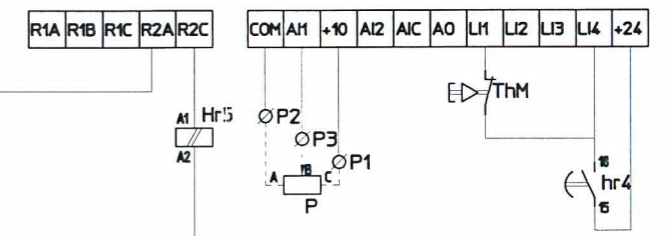
SAM, VOOR-/ZIJSCOTTEN JB2000
 Tekeningnummer: **S65.000.14**
 2005/04/04



| | KLEUR | | KLEUR | | KLEUR |
|-----------------|------------|-----------------|------------|-------------------|--------------|
| Hoofdstroom: | | Stuurelroom: | | Stuurelroom: | |
| 3x230/3x400 Vac | Zwart | Fase 400 Vac | Zwart | Tot 50 Vac (fase) | Violet/paars |
| Fase 230 Vac | Bruin | Fase 230 Vac | Bruin | Tot 50 Vac (nul) | Roze |
| Nul 230/400 Vac | Lichtblauw | Nul 230/400 Vac | Lichtblauw | Tot 50 Vdc (+) | Rood |
| Aarde | Groen/geel | | | Tot 50 Vdc (-) | Donkerblauw |

Bij toepassing van een trafo wordt gebruik gemaakt van een VASTE NUL.
Dit is te realiseren door aan de secundaire zijde van de trafo een pool met de aarde te verbinden.

Frequentieregelaar Altivar 31
Instelling overlastbeveiliging:
- R2 = CTA
- CTD = 6 Ampere (Enkele aandrijving)
- CTD = 7,5 Ampere (Dubbele aandrijving)



| | Omschrijving elektrisch schema | Description of Wiring diagram | Beschreibung Elektrischer Schaltplan | Définition du schéma électrique |
|---------|-------------------------------------|----------------------------------------|----------------------------------------------|----------------------------------------------------------|
| H | Netspanning/hoofdschakelaar | Mains voltage/main switch | Netzspannung/hauptschalter | Tension réseau/interrupteur principal |
| la | Transformator + Installatieautomaat | Transformer + Installation trip switch | Transformator + Sicherungsautomat der anlage | Transformateur + Automate d'installation |
| HR1-HR4 | Hulprelais start-stop module | Auxiliary relay start-stop module | Hilfsrelais start-stop-modul | Relais auxiliaire du module start/stop (démarrage-arret) |
| HR5 | Hulprelais overlastbeveiliging | Auxiliary relay overload protection | Hilfsrelais Überlastsicherung | Relais auxiliaire du protecteur de surcharge |
| MS1a | Productafvoerband - linksom | Crop conveyor - to the left | Produktabfuhrband - linksum | Tapis produit - à gauche |
| MS1b | Productafvoerband - rechtsum | Crop conveyor - to the right | Produktabfuhrband - rechtsum | Tapis produit - à droite |
| MS2a | Grondafvoerband - linksom | Soil conveyor - to the left | Erdabfuhrband - linksum | Tapis à terre - à gauche |
| MS2b | Grondafvoerband - rechtsum | Soil conveyor - to the right | Erdabfuhrband - rechtsum | Tapis à terre - à droite |
| MS3a | Grondzeefinrichting - linksom | Soil extractor - to the left | Enterder - linksum | Déterreur - à gauche |
| MS3b | Grondzeefinrichting - rechtsum | Soil extractor - to the right | Enterder - rechtsum | Déterreur - à droite |
| Th.... | Thermische beveiliging | Thermal breaker | Thermische schütz | Sécurité thermique |
| P | Potmeter | Potentiometer | Potentiometer | Potentiomètre |

| | | | | | |
|--------------------------------------------------------------------------------------|------------|-------------|--------------|------------|-----------|
| Tolerantie: 25...+2 25...+1 25...+0,5 25...+0,1 25...+0,05 25...+0,01 | Schaal: E1 | Formaat: A1 | Status: werk | 2004/02 | Versie: 3 |
| Opvvl. betu: | Machine: | Project: | Gelek: | Datum: | Naam: |
| SSS SB+RE | | | Goedgek.: | 2004/03/25 | M.A.V. |
| | | | Vrijgave: | | |

Benaming: **STUURSTROOMSCHEMA SB+RE+OPSTA**

TECHNISCHE AANSPRAKES OVEREENKOMSTIG NEN 630 1 1/n. V

POSTBUS 35 8800 AA FRANKER - HOLLAND
Tel.: 0517-399777
Fax.: 0517-396091

Tekeningnummer: **710.04.045**

2005/09/08